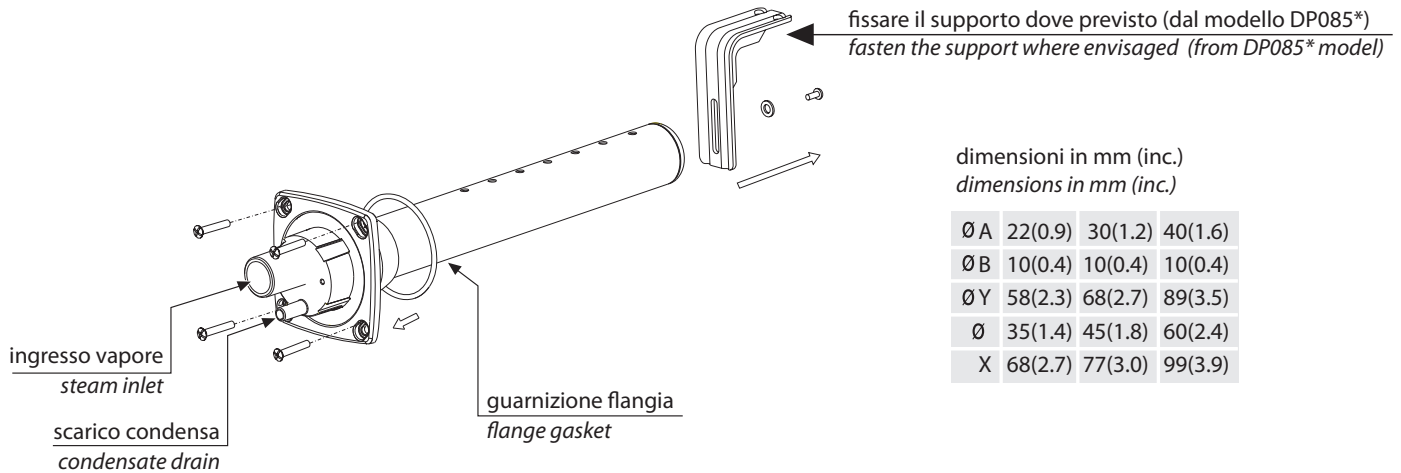
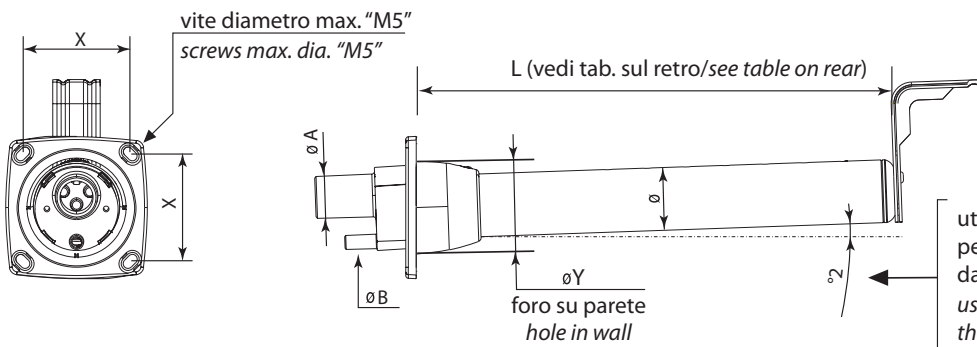


DP\*\*\*D\*\*R0/RU- Distributori lineari di vapore / Linear steam distributors

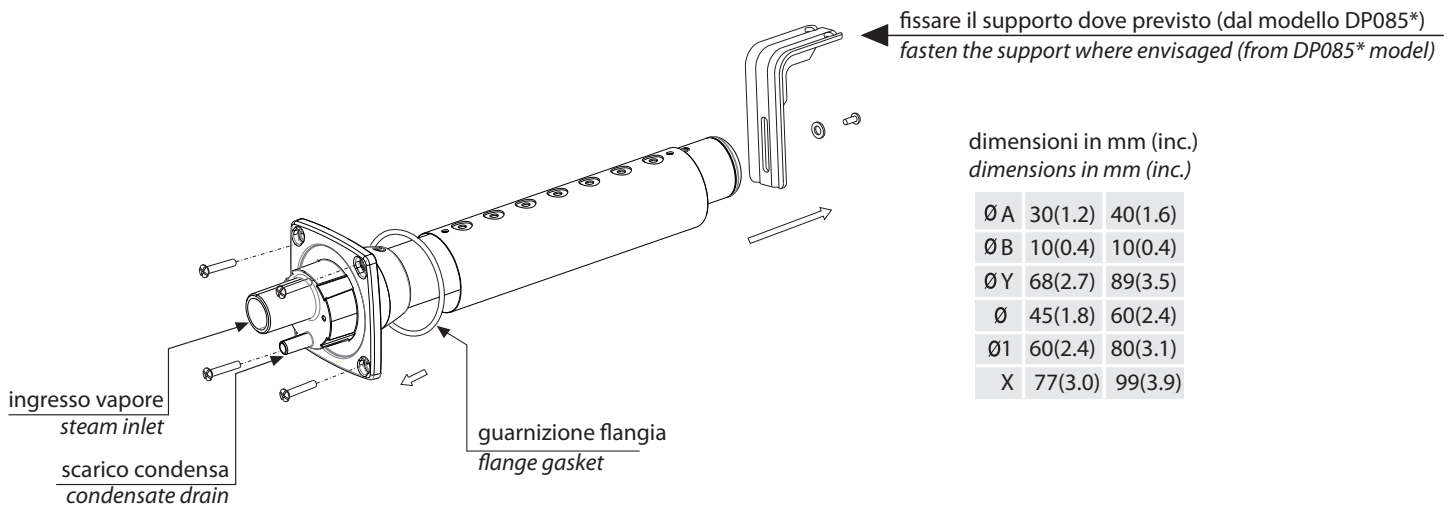


dimensioni in mm (inc.)  
dimensions in mm (inc.)

Ø A	22(0.9)	30(1.2)	40(1.6)
Ø B	10(0.4)	10(0.4)	10(0.4)
Ø Y	58(2.3)	68(2.7)	89(3.5)
Ø	35(1.4)	45(1.8)	60(2.4)
X	68(2.7)	77(3.0)	99(3.9)

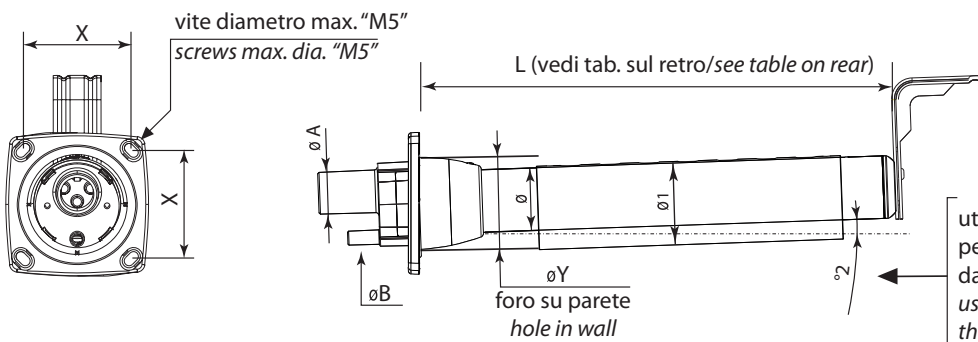


DP\*\*\*D\*\*RH - Distributori lineari di vapore ad alta efficienza / High efficiency Linear steam distributors



dimensioni in mm (inc.)  
dimensions in mm (inc.)

Ø A	30(1.2)	40(1.6)
Ø B	10(0.4)	10(0.4)
Ø Y	68(2.7)	89(3.5)
Ø	45(1.8)	60(2.4)
Ø1	60(2.4)	80(3.1)
X	77(3.0)	99(3.9)



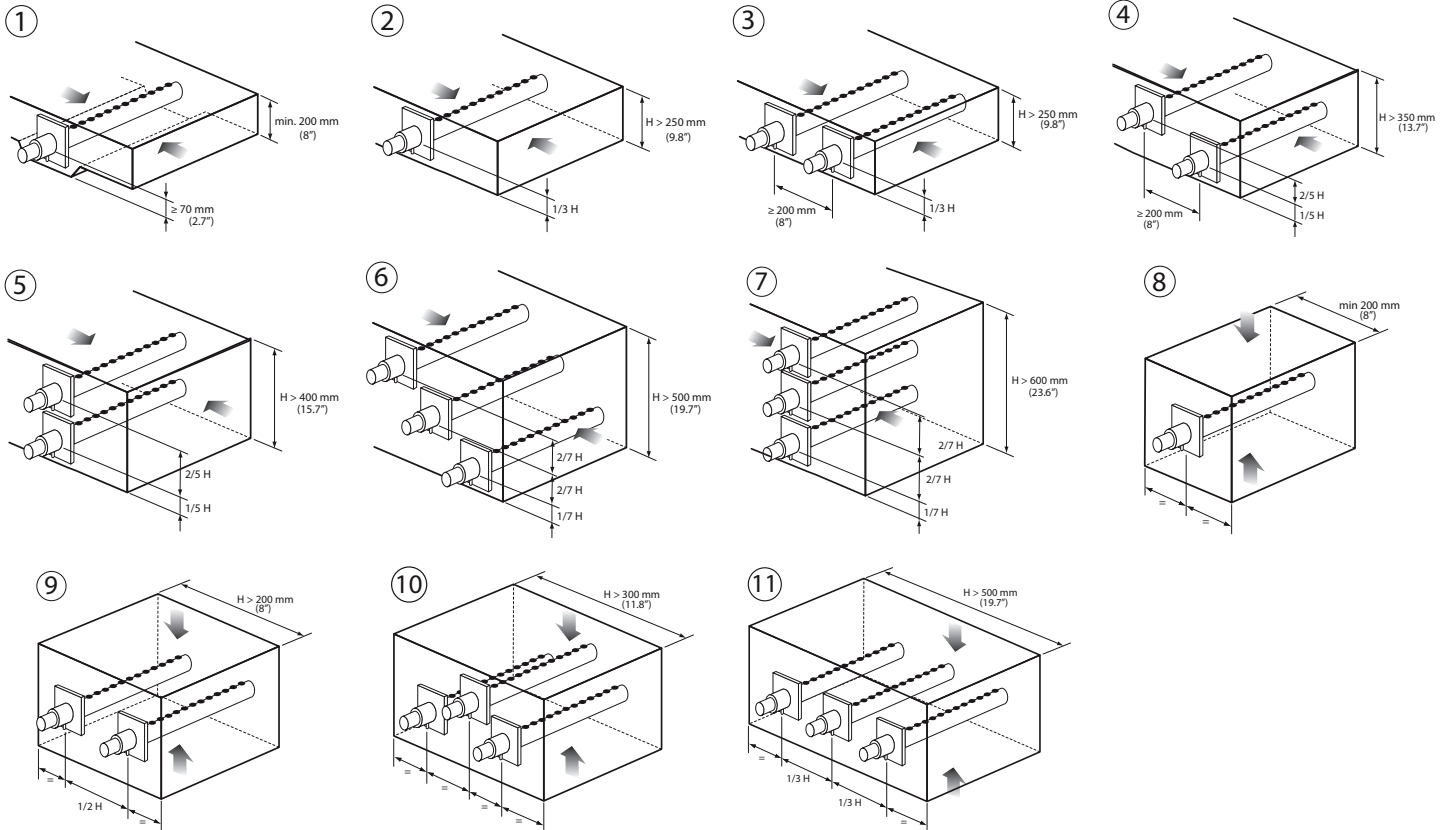
NOTA: Tutti i componenti del sistema di distribuzione sono in acciaio inox AISI316. / NOTE: All the components in the distribution system are made from AISI316 stainless steel.

uscita umidificatore Ø mm humidifier outlet Ø mm				humiSteam													heaterSteam								gaSteam							
capacità umidificatore kg/h humidifier capacity kg/h				22 /30 (0.9"/1.2")		30 (1.2")						40 (1.6")			2x 40 (1.6")		4x 40 (4x 1.6")		30 (1.2")			40 (1.6")		2x 40 (1.6")		2x 40 (1.6")		4x 40 (4x 1.6")				
ingresso distributore (øA) mm (in) distributor inlet (øA) mm (in)	capacità max. distributore kg/h (lbs/h) max. distributor capacity kg/h (lbs/h)	min. larghezza condotta/AHU mm (in) min. width of duct/AHU mm (in)	codice code	1	3	5	8	9	10	15	18	25	35	45	65	90	130	2	4	6	10	13	20	27	40	53	60	80	45	90	180	
22 (0.9")	4 (8.8)	350 (13.7")	DP035D22R0	1	1																											
22 (0.9")	6 (13.2)	450 (17.7")	DP045D22R0	1	1																											
22 (0.9")	9 (19.8)	600 (23.6")	DP060D22R0	1	1																											
22 (0.9")	9 (19.8)	850 (33.5")	DP085D22R0	1	1																											
30 (1.2")	5 (11)	350 (13.7")	DP035D30R0			1													1	1												
30 (1.2")	8 (17.6)	450 (17.7")	DP045D30R0			1	1												1	1	1											
30 (1.2")	12 (26.4)	600 (23.6")	DP060D30R0			1	1	1	1										1	1	1	1		(2)*								
30 (1.2")	18 (39.6)	850 (33.5")	DP085D30R0			1	1	1	1	1	1	(2)*	(2)*						1	1	1	1	1	(2)*	(2)*							
30 (1.2")	18 (39.6)	1050 (41.3")	DP105D30R0			1	1	1	1	1	1	(2)*	(2)*						1	1	1	1	1	(2)*	(2)*							
30 (1.2")	18 (39.6)	1250 (49.2")	DP125D30R0			1	1	1	1	1	1	(2)*	(2)*						1	1	1	1	1	(2)*	(2)*							
30 (1.2")	18 (39.6)	1650 (65")	DP165D30R0			1	1	1	1	1	1	(2)*	(2)*						1	1	1	1	1	(2)*	(2)*							
40 (1.6")	25 (55)	850 (33.5")	DP085D40R0									1	(2)**	(2)**	(4)**	(4)**							1	1	(2)**	(4)**	(4)**	(4)**	2	(4)**		
40 (1.6")	35 (77)	1050 (41.3")	DP105D40R0									1	1	(2)**	2	(4)**	4						1	1	(2)**	2	2	(4)**	2	(4)**		
40 (1.6")	45 (99)	1250 (49.2")	DP125D40R0									1	1	1	2	2	4						1	1	1	2	2	2	2	2	4	
40 (1.6")	45 (99)	1650 (65")	DP165D40R0									1	1	1	2	2	4						1	1	1	2	2	2	2	2	4	
40 (1.6")	45 (99)	2050 (80.7")	DP205D40R0									1	1	1	2	2	4						1	1	1	2	2	2	2	2	4	
22 (0.9")	4 (8.8)	300 (11.8")	DP030D22R0	1	1																											
30 (1.2")	10 (22)	200 (7.9")	DP020D30RU	1	1														1	1	1	1										
30 (1.2")	15 (33)	300 (11.8")	DP030D30RU			1	1	1	1										1	1	1	1	1									
30 (1.2")	15 (33)	450 (17.7")	DP045D30RU			1	1	1	1	1									1	1	1	1	1	(2)*	(2)*							
30 (1.2")	15 (33)	600 (23.6")	DP060D30RU			1	1	1	1	1		(2)**							1	1	1	1	1	(2)*	(2)*							
40 (1.6")	45 (99)	600 (23.6")	DP060D40RU									1	1	1	2	2	4						1	1	1	2	2	2	2	2	4	
30 (1.2")	5 (11)	350 (13.7")	DP035D30RH			1													1	1												
30 (1.2")	8 (17.6)	450 (17.7")	DP045D30RH			1	1												1	1	1											
30 (1.2")	12 (26.4)	600 (23.6")	DP060D30RH			1	1	1	1										1	1	1	1		(2)*								
30 (1.2")	18 (39.6)	850 (33.5")	DP085D30RH			1	1	1	1	1	1	(2)*	(2)*						1	1	1	1	1	(2)*	(2)*							
30 (1.2")	18 (39.6)	1050 (41.3")	DP105D30RH			1	1	1	1	1	1	(2)*	(2)*						1	1	1	1	1	(2)*	(2)*							
30 (1.2")	18 (39.6)	1250 (49.2")	DP125D30RH			1	1	1	1	1	1	(2)*	(2)*						1	1	1	1	1	(2)*	(2)*							
30 (1.2")	18 (39.6)	1650 (65")	DP165D30RH			1	1	1	1	1	1	(2)*	(2)*						1	1	1	1	1	(2)*	(2)*							
40 (1.6")	25 (55)	850 (33.5")	DP085D40RH									1	(2)**	(2)**	(4)**	(4)**							1	1	(2)**	(4)**	(4)**	(4)**	2	(4)**		
40 (1.6")	35 (77)	1050 (41.3")	DP105D40RH									1	1	(2)**	2	(4)**	4						1	1	(2)**	2	2	(4)**	2	(4)**		
40 (1.6")	45 (99)	1250 (49.2")	DP125D40RH									1	1	1	2	2	4						1	1	1	2	2	2	2	2	4	
40 (1.6")	45 (99)	1650 (65")	DP165D40RH									1	1	1	2	2	4						1	1	1	2	2	2	2	2	4	
40 (1.6")	45 (99)	2050 (80.7")	DP205D40RH									1	1	1	2	2	4						1	1	1	2	2	2	2	2	4	

N.B.: se la condotta non ha la larghezza richiesta per il distributore si possono usare 2 distributori più corti (numeri indicati tra parentesi), provvedendo a sdoppiare il tubo vapore flessibile.  
 \*: utilizzare kit Carel a "Y" UEKY000000, ingresso 40 mm (1.6") e 2 uscite 30 mm (1.2")  
 \*\*: utilizzare kit Carel a "Y" UEKY40X400, ingresso 40 mm (1.6") e 2 uscite 40 mm (1.6")

N.B.: if the duct is not wide enough for the distributor, 2 shorter distributors can be used (numbers shown in brackets), splitting the steam hose into two.  
 \*: use CAREL "Y" kit P/N UEKY000000, 40 mm (1.6") inlet and 2 x 30 mm (1.2") outlets  
 \*\*: use CAREL "Y" kit P/N UEKY40X400, 40 mm (1.6") inlet and 2 x 40 mm (1.6") outlets

Per le installazioni tipiche dei distributori lineari vedere figure qui sotto / For typical installations of linear distributors see pictures below



CAREL si riserva la possibilità di apportare modifiche o cambiamenti ai propri prodotti senza alcun preavviso. / CAREL reserves the right to modify the features of its products without prior notice.



CAREL INDUSTRIES - HQs  
 Via dell'Industria, 11 - 35020 Brugine - Padova (Italy)  
 Tel. (+39) 0499716611 - Fax (+39) 0499716600 - www.carel.com - e-mail: carel@carel.com

+050001110 rel. 1.2 - 27.03.2018