



TVAN

Air velocity transmitter

The transmitter is intended for air velocity measurement in HVAC systems, ventilation ducts or similar applications.

- Selectable working range 0...10/15/20 m/s
- Output signal 0...10 V DC or 4...20 mA
- Supply voltage 24 V AC/DC
- Adjustable damping time
- Short reaction time
- Adjustable probe insertion length

Function

The air velocity transmitter operates on the hot-wire anemometer principle. The sensor element is a specially designed thin film element which is heated. The cooling rate of the element, which depends on the air velocity, is measured and is transformed by the built-in electronics to an analogue output signal proportional to the air speed. The signal is compensated for varying temperature. The very thin measuring element has the advantage of being highly resistant to contamination by dust etc.

Selectable working range

The working range can be set by means of a jumper on the printed circuit board. This facilitates easy adjustment to the correct working range on start-up.

See next page for further information.

Installation

The transmitter can be mounted with the whole of the probe length (220 mm) inside the duct (without using

the fastening plate). The transmitter is then fastened to the bottom of the casing by two screws. If only part of the probe is inserted, the fastening plate is required. This enables the probe to be inserted between 20 and 200 mm.

Note: The transmitter is to be mounted so that the direction of air-flow is parallel to the sensor duct.

MAIN OFFICE BRESSANONE

I-39042 Bressanone (BZ)
via Julius-Durst-Str. 70
VAT No. IT02748450216

tel: +39 0472 830626
fax: +39 0472 831840
www.industrietechnik.it

TVAN

- 1 -

Technical data

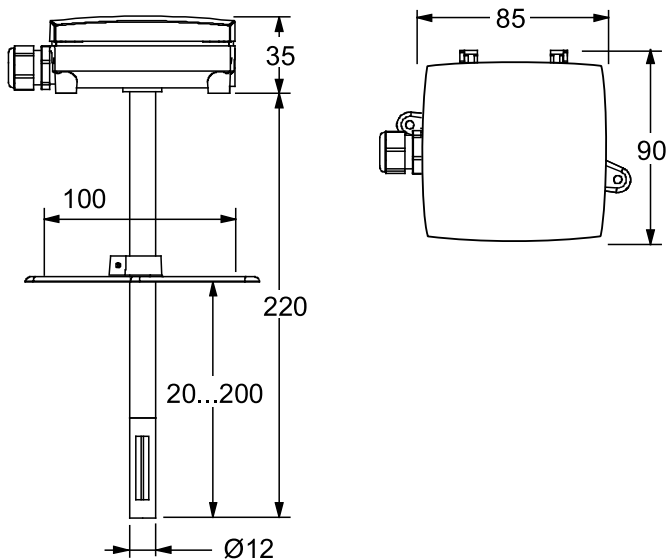
Supply voltage	24 V AC $\pm 20\%$
Power consumption	5 VA
Ambient temperature	-10...+50 °C
Storage temperature	-30...+60 °C
Time constant	1.5 s at 10 m/s
Protection class	IP65
Sensor element	Thin film element
Working range	0...10 m/s, 0...15 m/s, 0...20 m/s, selectable
Accuracy	$\pm(0.2 \text{ m/s} + 3\% \text{ of the value})$ at 0.2...10 m/s $\pm(0.2 \text{ m/s} + 3\% \text{ of the value})$ at 0.2...15 m/s $\pm(0.2 \text{ m/s} + 4\% \text{ of the value})$ at 0.2...20 m/s
Response time	Selectable 0.7 or 4 s
Output signal	0...10 V (max. 1 mA), 4...20 mA, selectable

CE

EMC emissions & immunity standards: This product conforms to the requirements of the EMC Directive 2014/30/EU through product standards EN 61326-1 and 61326-2-3.

RoHS: This product conforms to the Directive 2011/65/EU of the European Parliament and of the Council through standard EN 50581:2012.

Dimensions



Measurements in mm

MAIN OFFICE BRESSANONE

I-39042 Bressanone (BZ)
 via Julius-Durst-Str. 70
 VAT No. IT02748450216

tel: +39 0472 830626
 fax: +39 0472 831840
 www.industrietechnik.it

TVAN

- 2 -